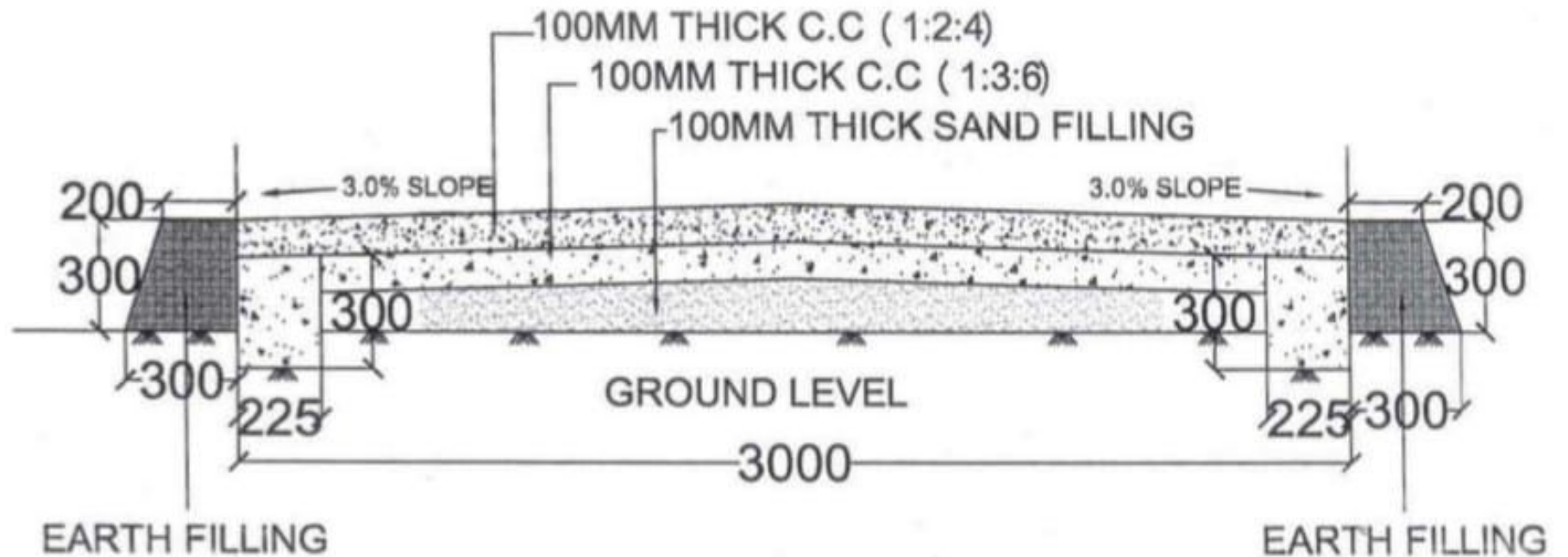


TYPICAL CROSS SECTION OF CEMENT CONCRETE ROAD WITH CUTT OFF
(3.0M WIDE IN HARD SOIL AREA)



ALL DIMINESIONS ARE IN MM