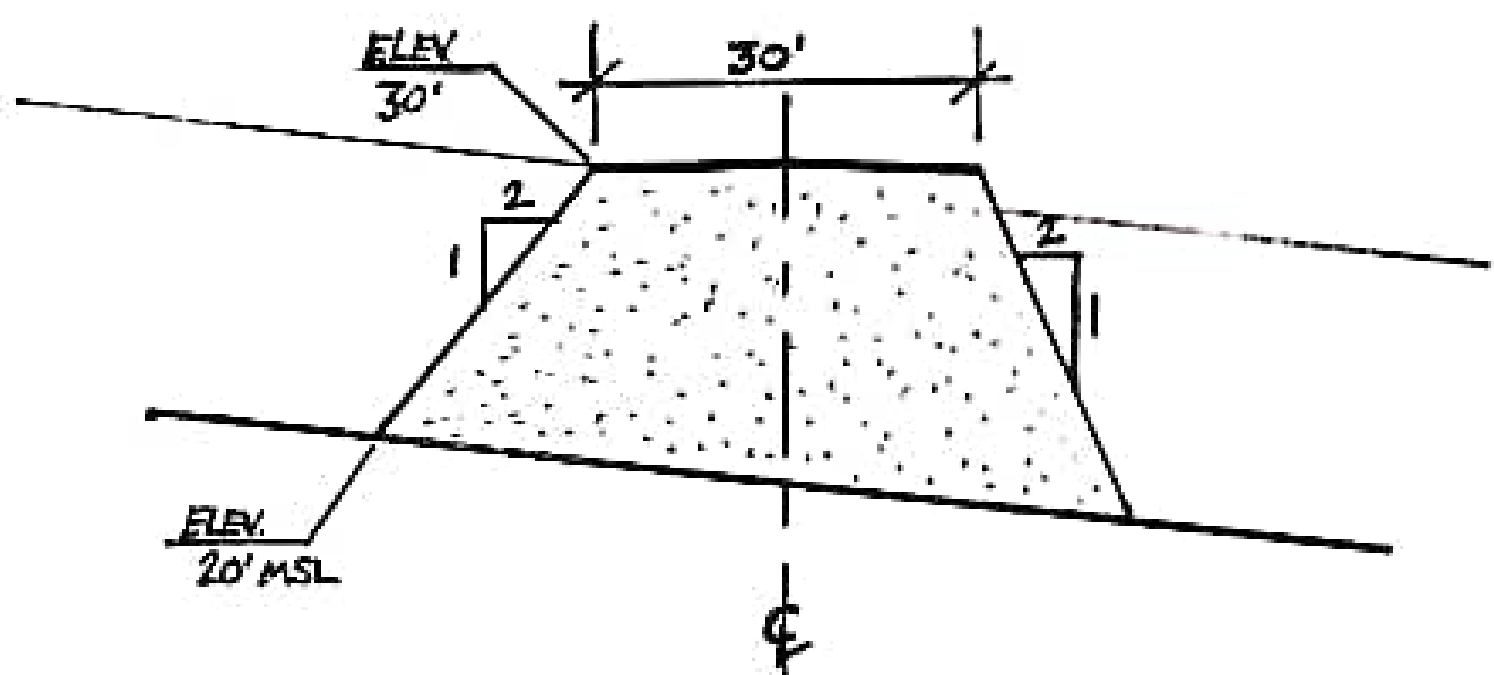


PLAN VIEW NOT TO SCALE



SECTION A-A' NOT TO SCALE

FIGURE 1