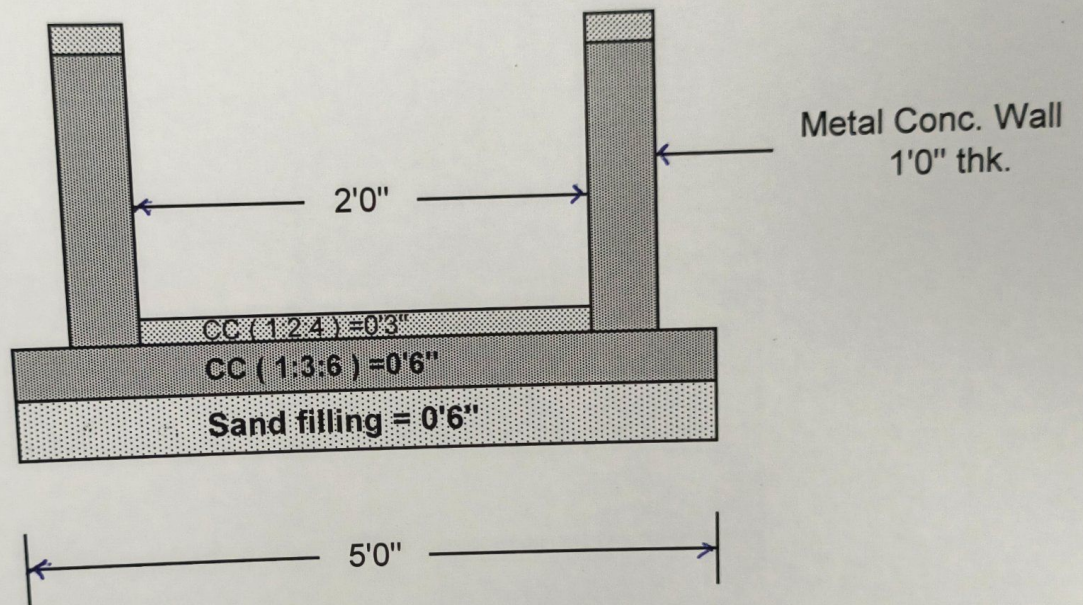


DETAIL PLAN FOR THE WORK :- CONSTRUCTION OF CC DRAIN



[Signature]
**Junior Engineer
Rairangpur Block**

[Signature]