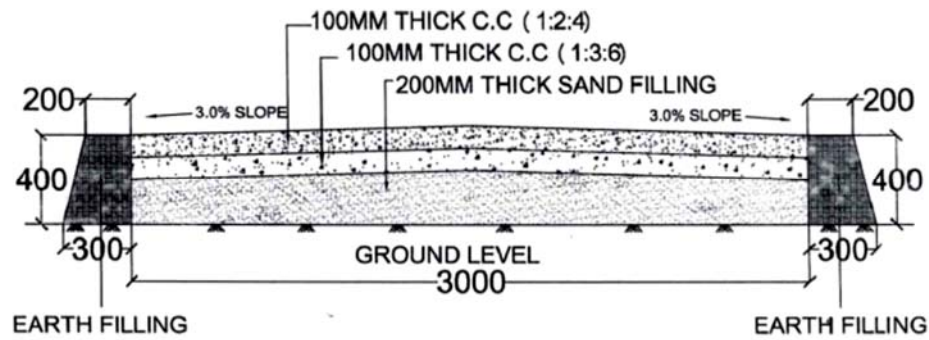


In a recent guideline issued in 2013 by Panchayati Raj Department, few changes in the cross section have been made with respect to the earlier design practices. Detailed drawings as per the revised guidelines are given in Fig.1 and Fig.2. The guidelines released in this regard are given in Annexure-I.

TYPICAL CROSS SECTION OF CEMENT CONCRETE ROAD
(3.0M WIDE IN BLACK COTTON SOIL AREA)

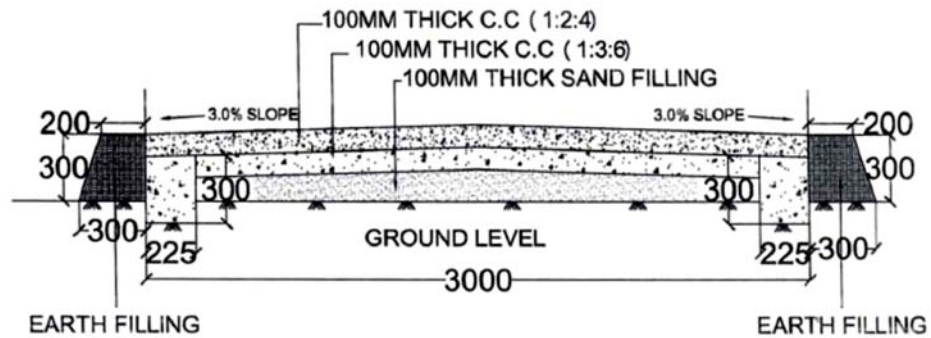


ALL DIMINESIONS ARE IN MM

ESTIMATED COST :-RS 33.20 LAKHS/KM

Fig. 1: Typical Cross Section of CC Roads in Black Cotton Soil Area

TYPICAL CROSS SECTION OF CEMENT CONCRETE ROAD WTH CUTT OFF
(3.0M WIDE IN HARD SOIL AREA)



ALL DIMINESIONS ARE IN MM

ESTIMATED COST :-RS 32.30 LAKHS/KM

Fig. 2: Typical Cross Section of CC Roads in Hard Soil Area