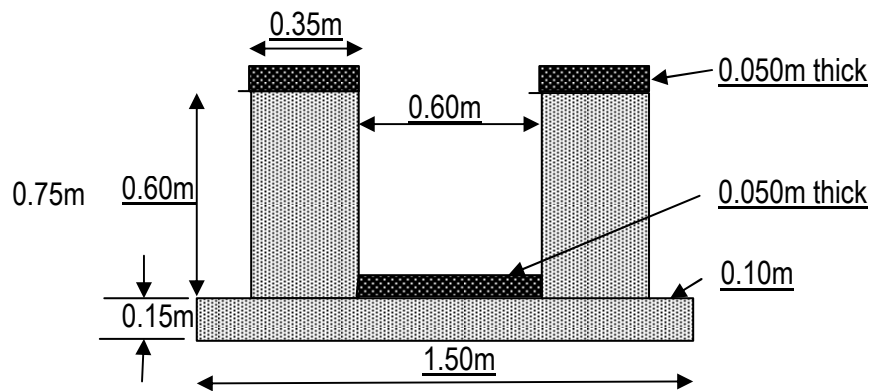


CONST.OF DRAIN AT



CROSS SECTION OF DRAIN

Junior Engineer,
Koraput Block.

Assistant Engineer,
Koraput Block.

Block Development Officer,
Koraput