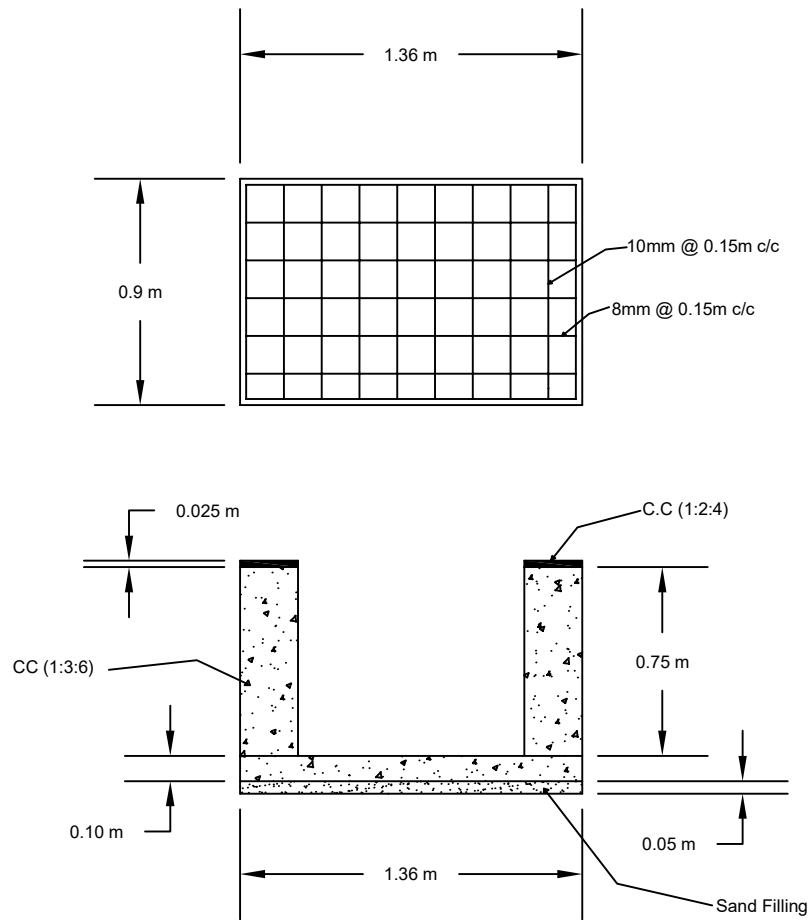


CONSTRUCTION OF C.C DRAIN AT JUBRAJPETA TALASAHI



CROSS SECTION OF C.C DRAIN AND COVER SLAB

Junior Engineer
Semiliguda Block

Asst. Executive Engineer
Semiliguda Block

Block Development Officer
Semiliguda Block