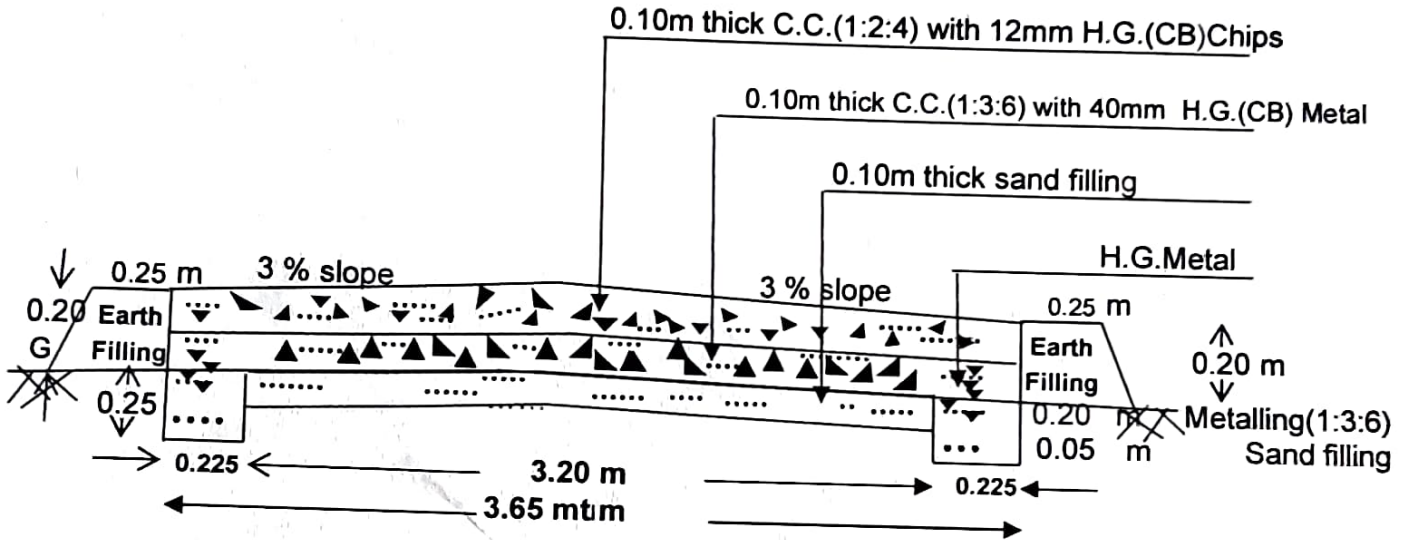


**3.65 mtrs wide in Hard Soil Area**



**C.S. of CC Road**  
(Not to scale)