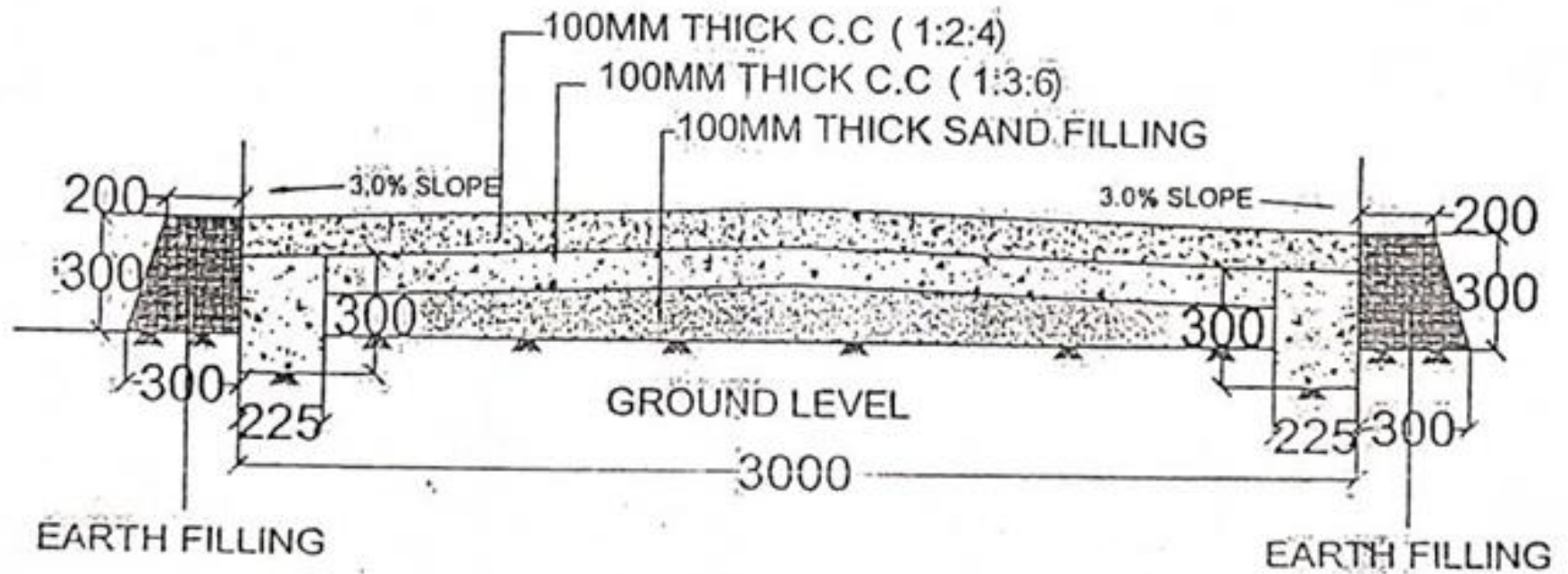


TYPICAL CROSS SECTION OF CEMENT CONCRETE ROAD WITH CUTT OFF  
(3.0M WIDE IN HARD SOIL AREA)



ALL DIMENSIONS ARE IN MM

ESTIMATED COST :-RS 32.30 LAKHS/KM