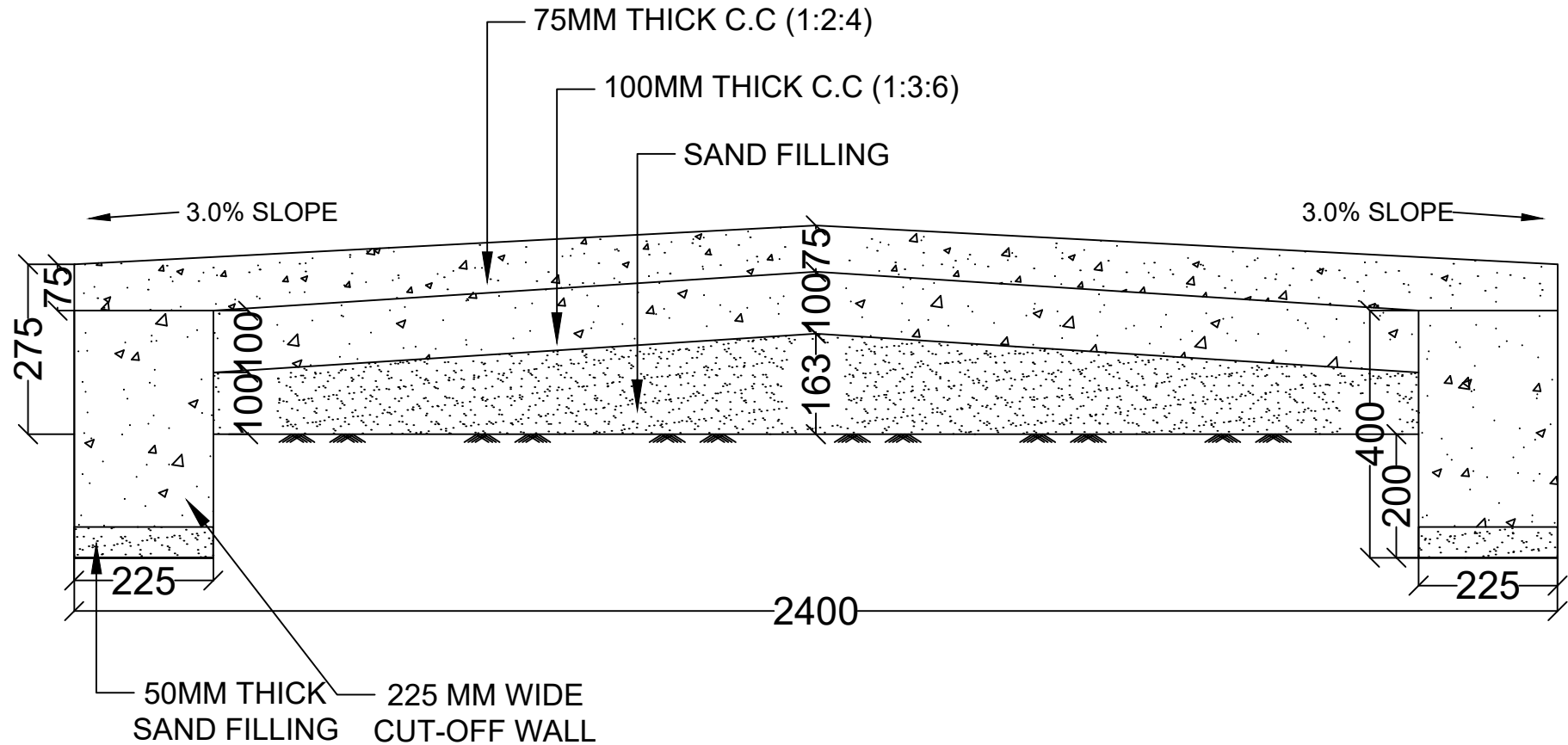


# COSTRUCTION OF C.C. ROAD FROM KAJI HAT RAISUNGUDA ROAD TO MOHANTY SAHI, JIGINIPUR, WARD NO. 2, VILL. JIGINIPUR.



## NOTE :-

1. ALL DIMENSION ARE IN MM UNLESS OTHERWISE SPECIFIED.

JE /AE  
Nischintakoili Block

AEE  
Nischintakoili Block

Block Development Office  
Nischintakoili