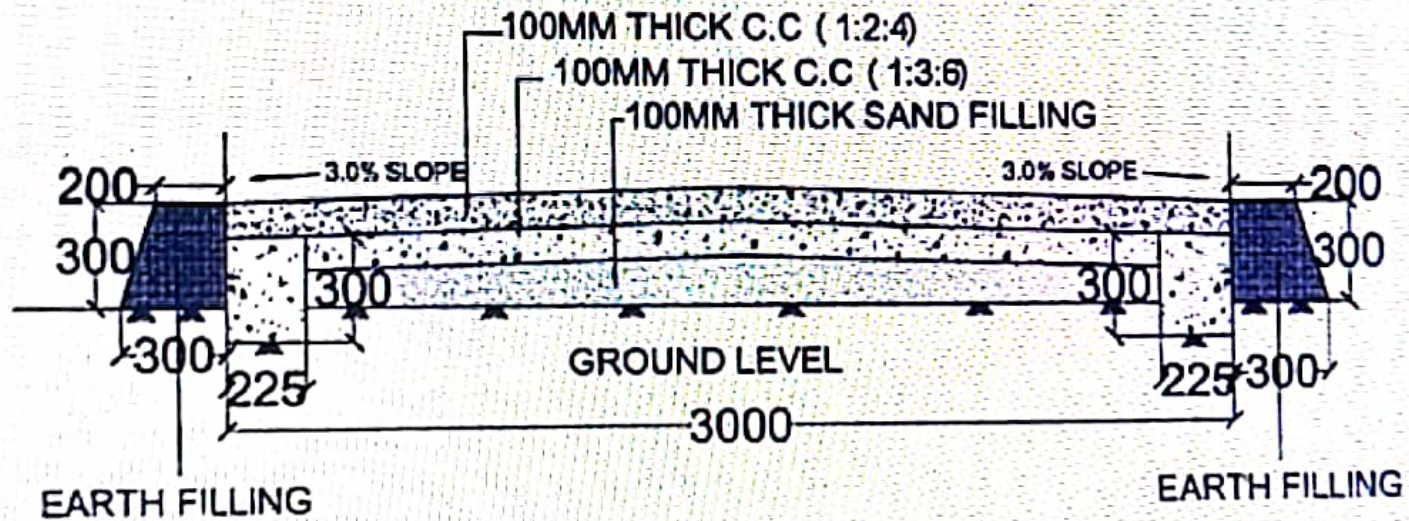


**TYPICAL CROSS SECTION OF CEMENT CONCRETE ROAD WITH CUTT OFF**  
**( 3.0M WIDE IN HARD SOIL AREA)**



ALL DIMENSIONS ARE IN MM