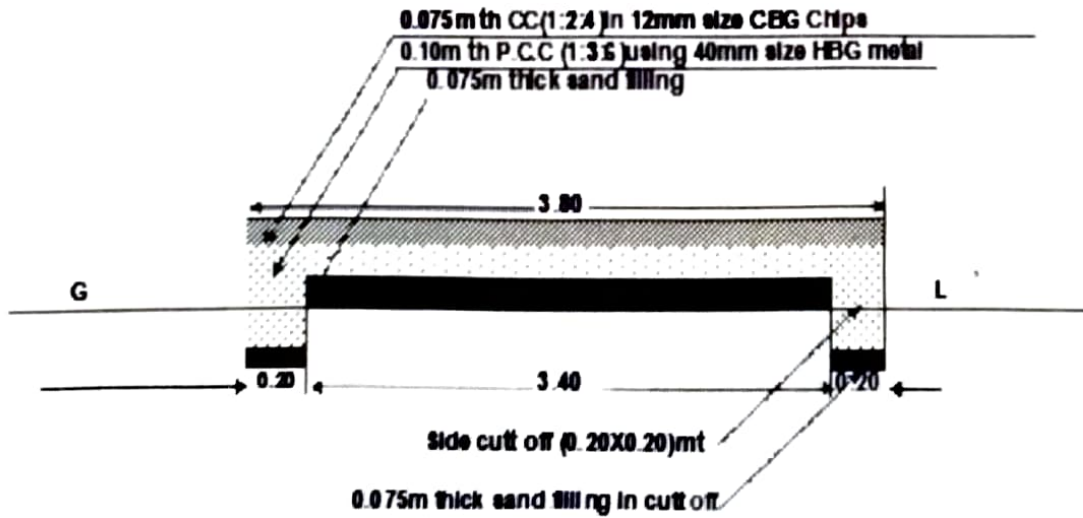


## CROSS SECTION OF CEMENT CONCRETE ROAD



NOTE :- ALL DIMENSIONS ARE IN METRE

Assistant Engineer  
Lanjigarh Block

Assistant Executive Engineer  
Lanjigarh Block

Block Development Officer  
Lanjigarh Block

