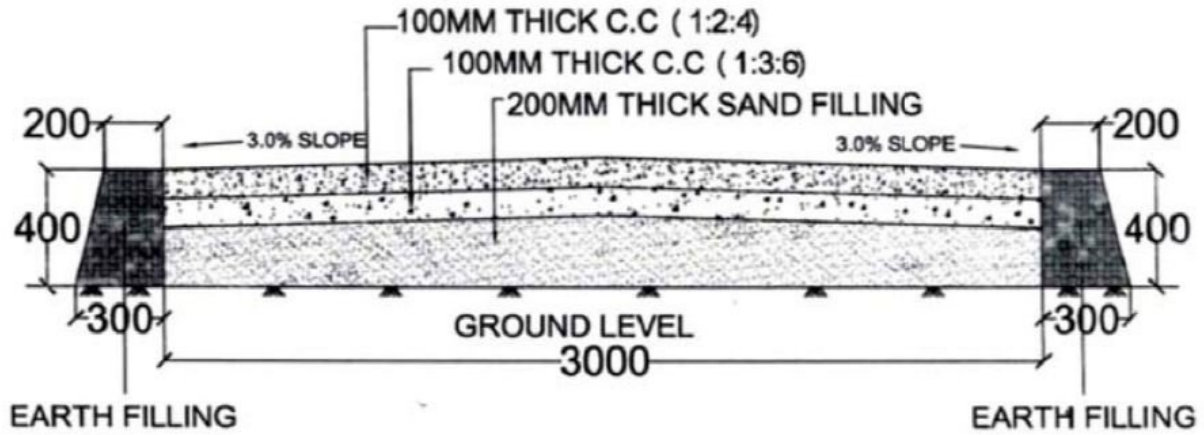


**TYPICAL CROSS SECTION OF CEMENT CONCRETE ROAD  
(3.0M WIDE IN BLACK COTTON SOIL AREA)**

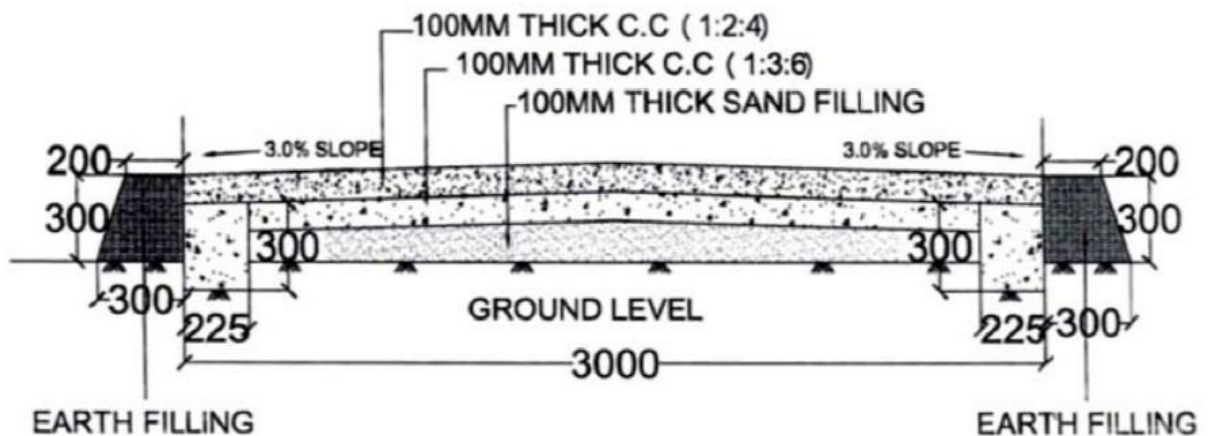


ALL DIMINESIONS ARE IN MM

ESTIMATED COST :-RS 33.20 LAKHS/KM

**Fig. 1: Typical Cross Section of CC Roads in Black Cotton Soil Area**

**TYPICAL CROSS SECTION OF CEMENT CONCRETE ROAD WTH CUTT OFF  
(3.0M WIDE IN HARD SOIL AREA)**



ALL DIMINESIONS ARE IN MM