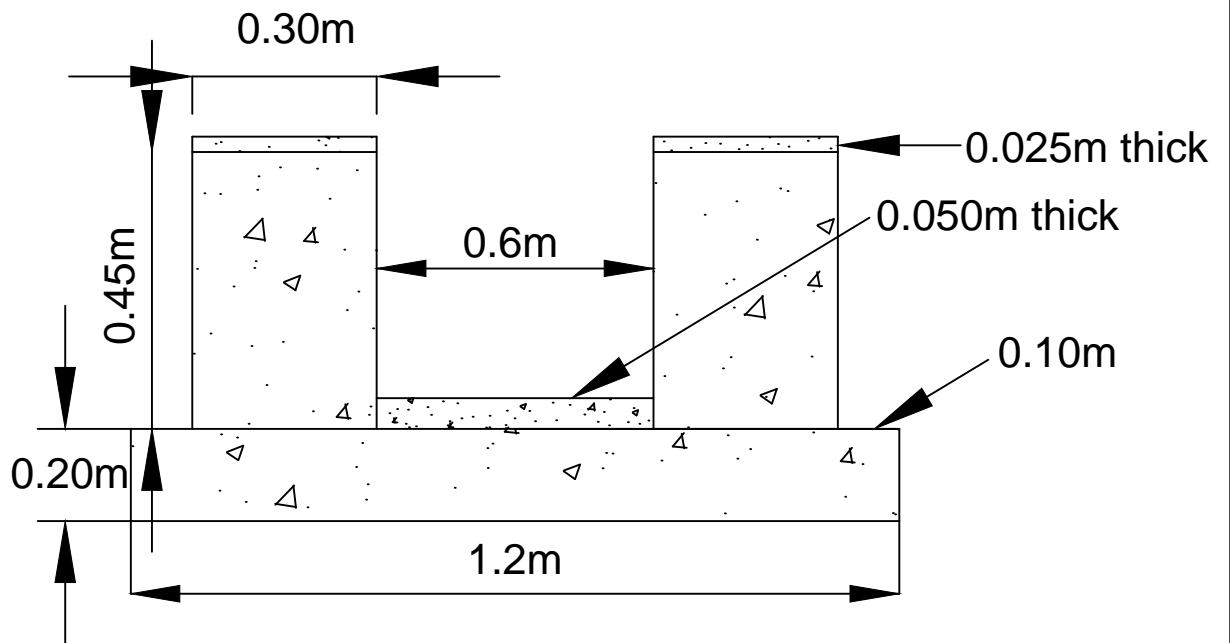


CROSS SECTION OF F.C



CROSS SECTION OF DRAIN