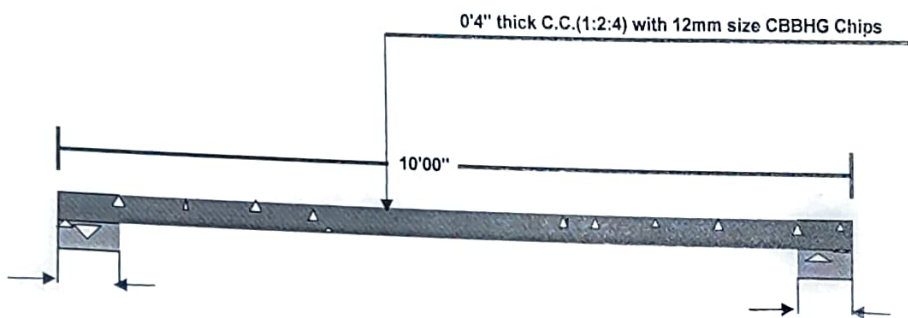


TYPICAL CROSS SECTION OF PROPOSED C.C. ROAD

(NOT TO SCALE-FOR REFERENCE ONLY)

(DIMENSIONS ARE IN FEET , IF OTHERWISE NOT SPECIFIED)



Assistant Engineer
Tirtol Block

Assistant Executive Engineer
Tirtol Block