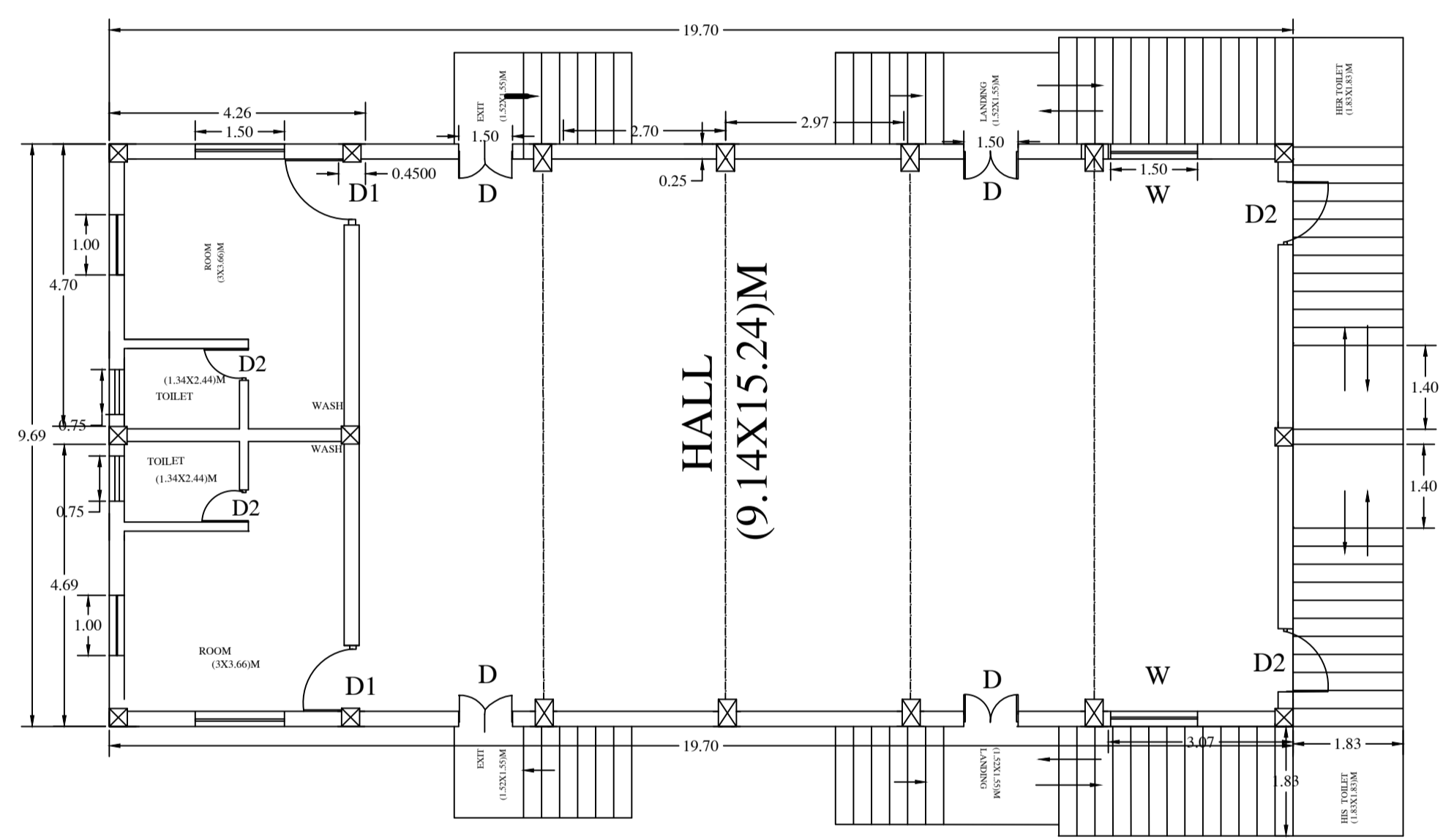
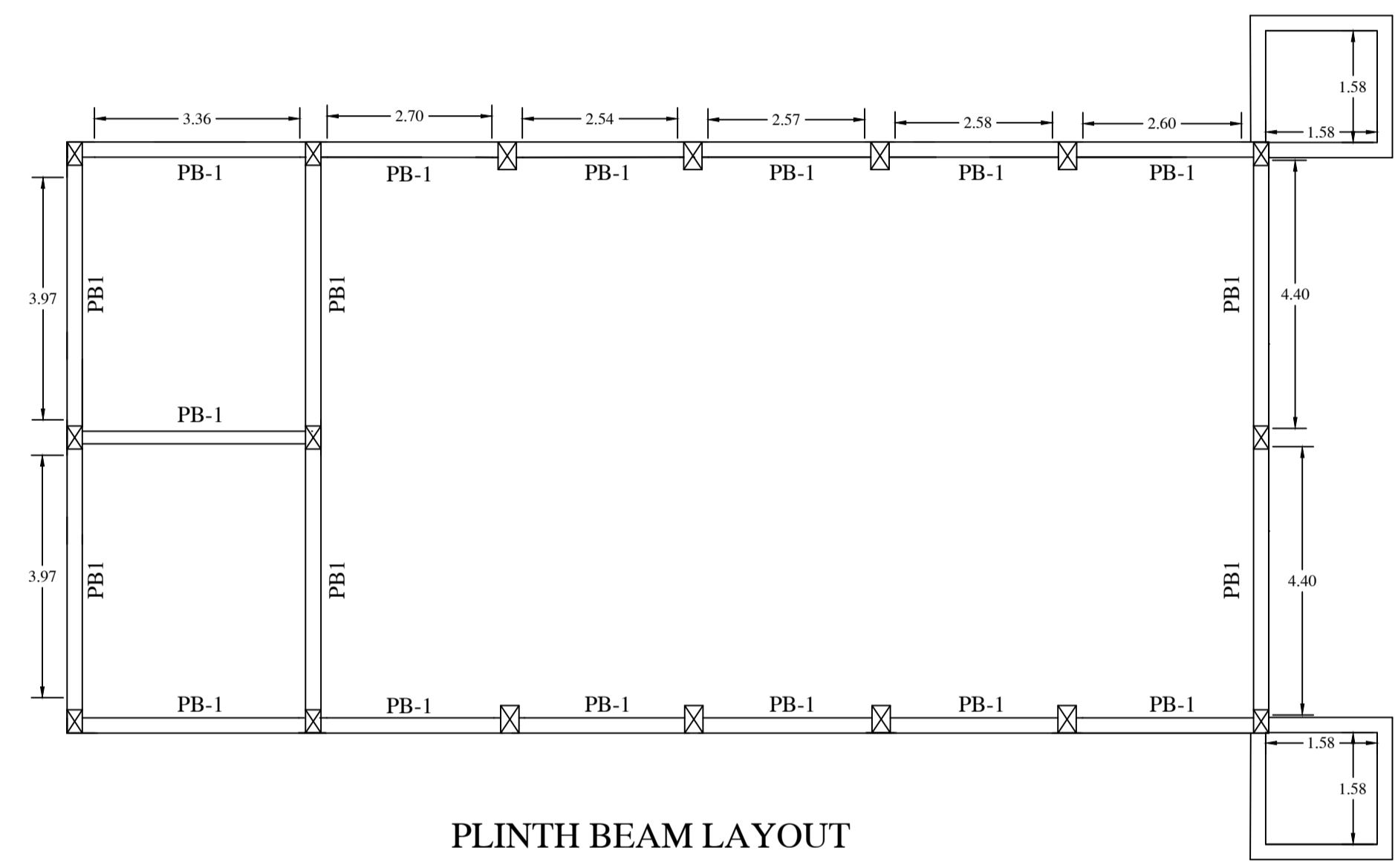


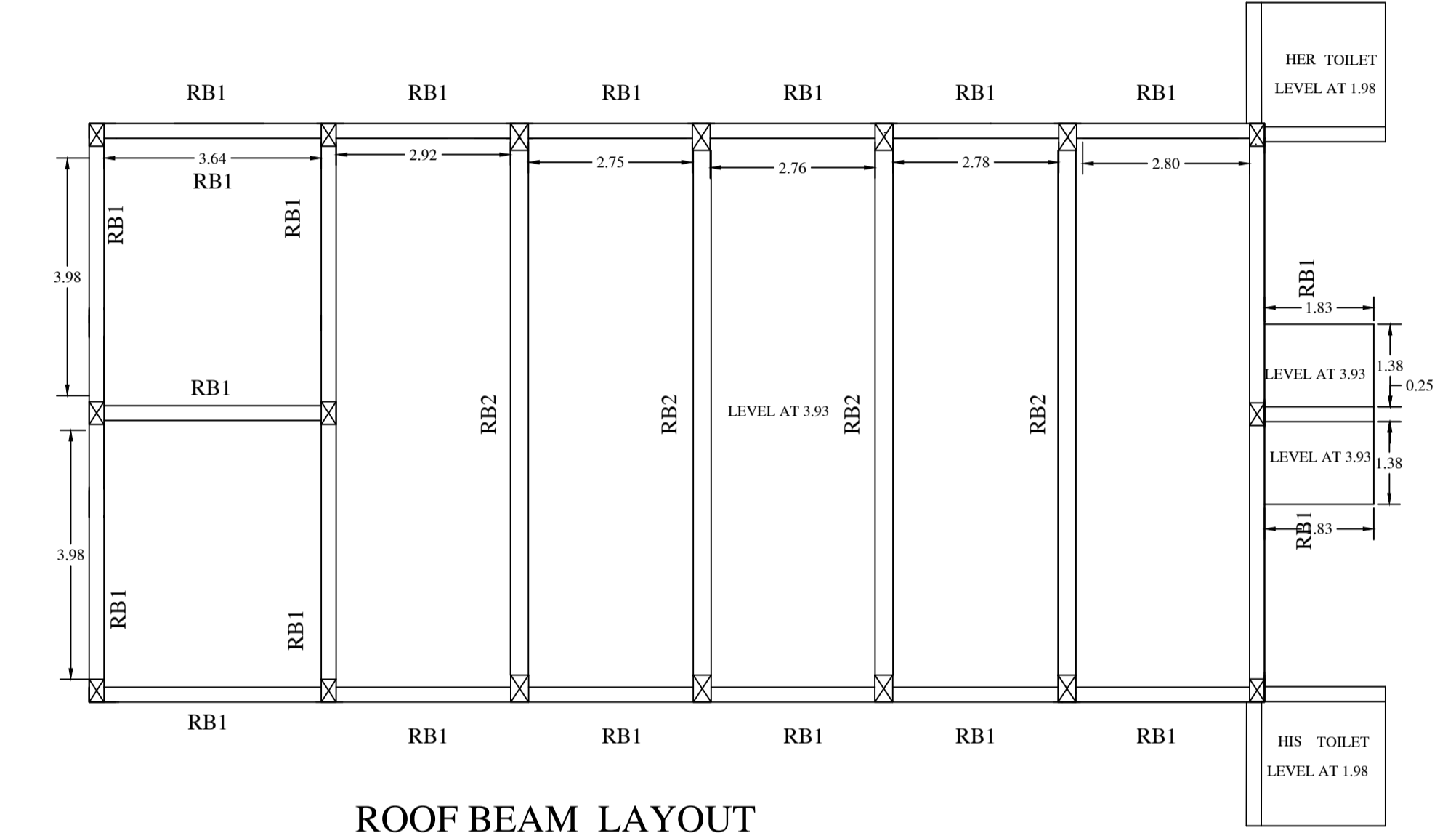
ELEVATION



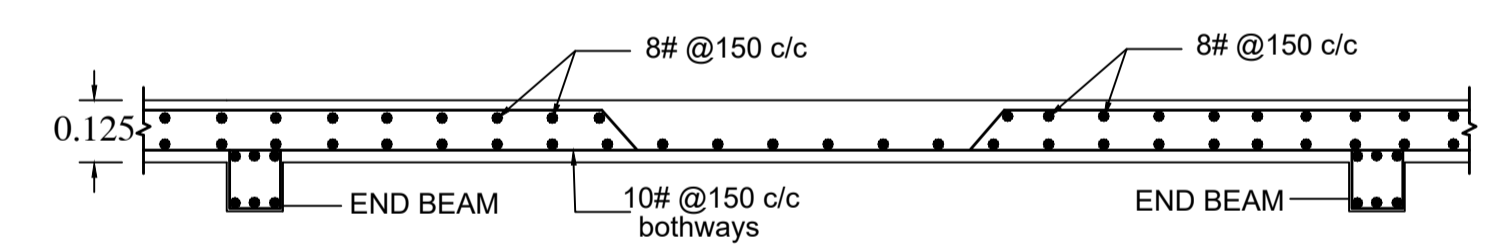
PLAN



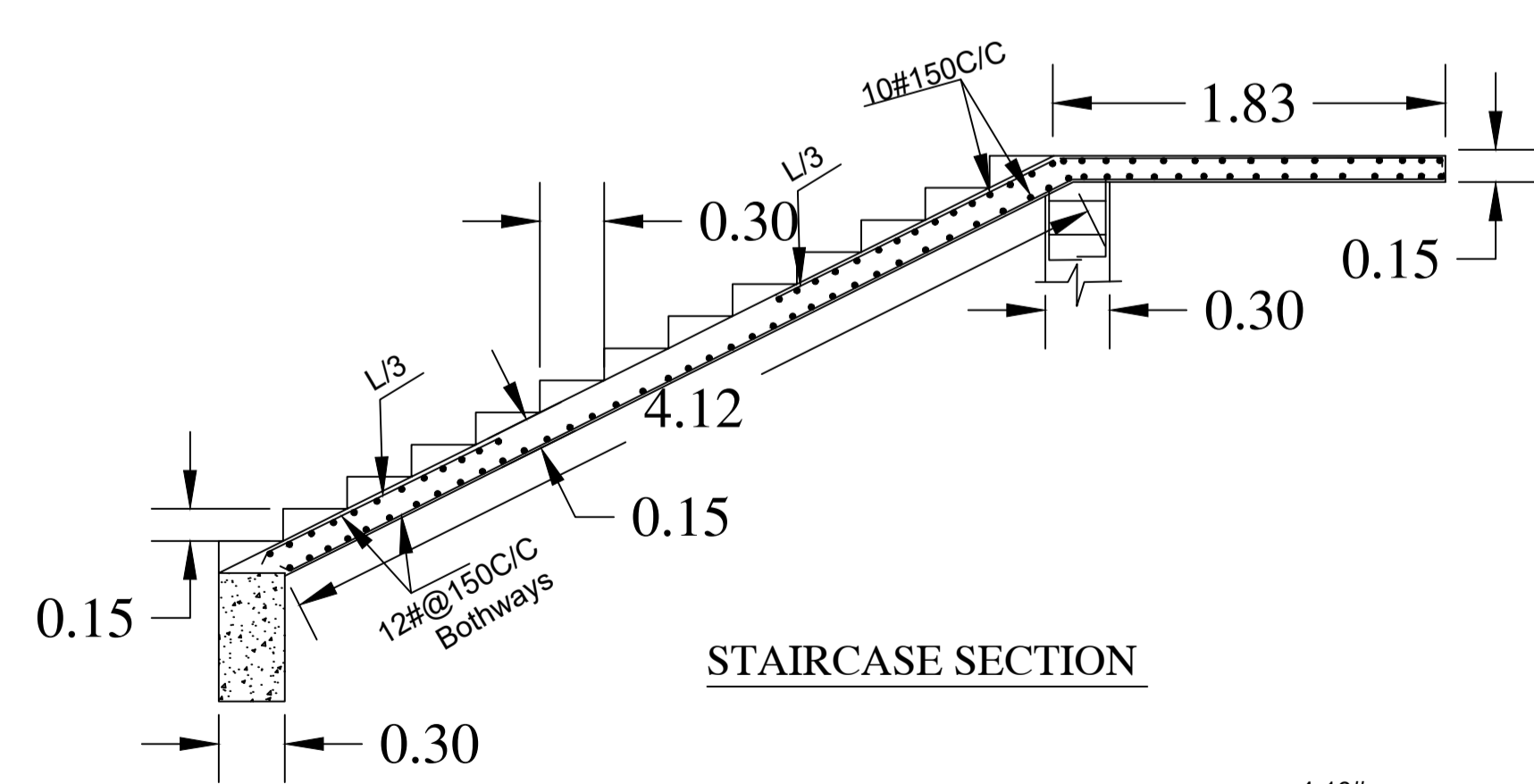
PLINTH BEAM LAYOUT



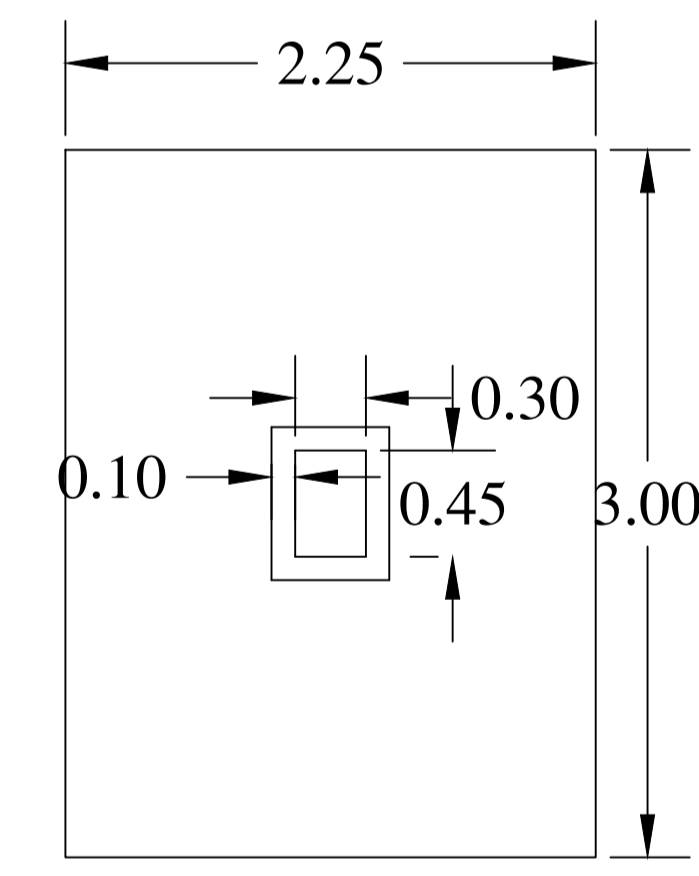
ROOF BEAM LAYOUT



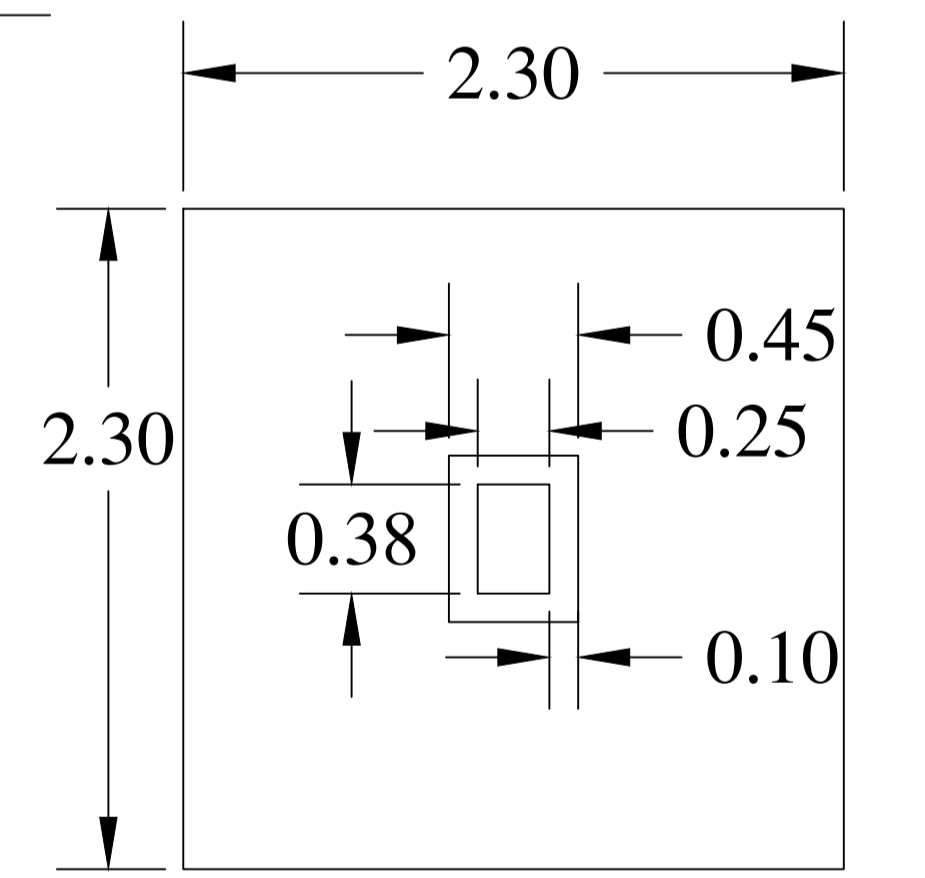
DETAILS OF ROOF SLAB



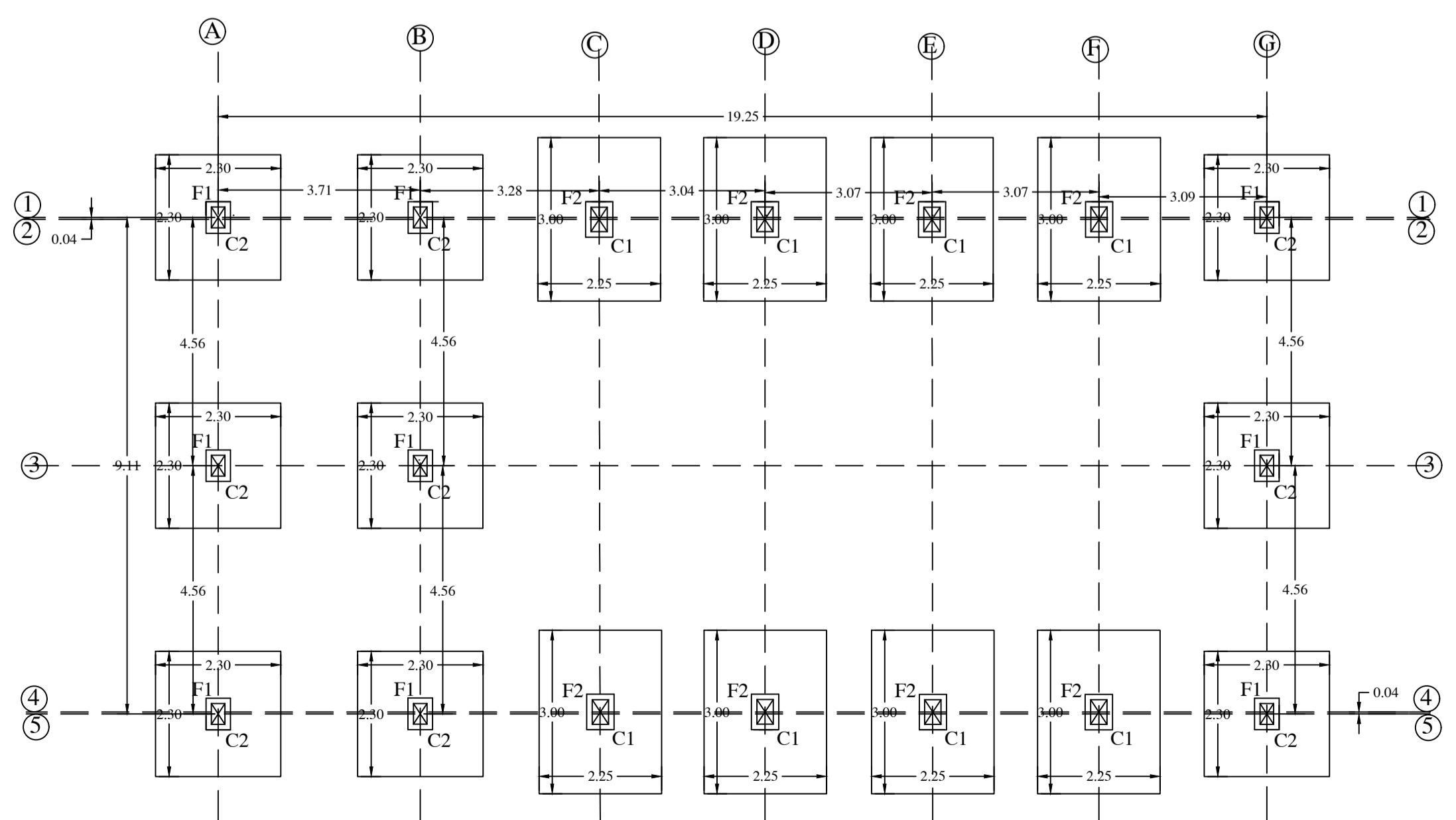
STAIRCASE SECTION



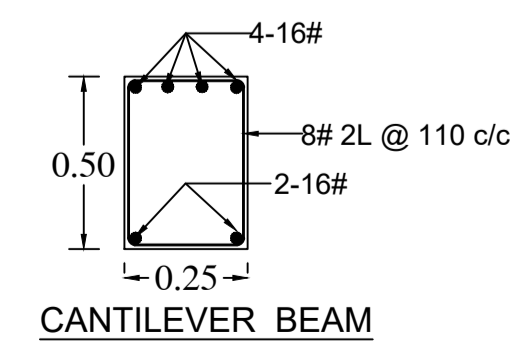
FOOTING (F1) PLAN



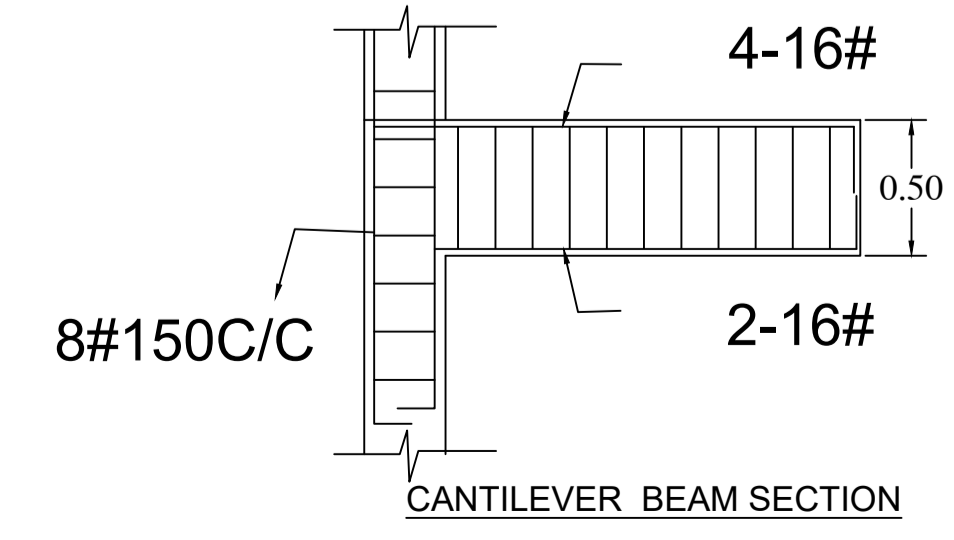
FOOTING (F2) PLAN



COLUMN FOOTING LAYOUT



CANTILEVER BEAM



CANTILEVER BEAM SECTION

NOTE: ALL DIMENSIONS ARE IN M
 :GRADE OF CONCRETE M25
 :GRADE OF STEEL Fe 500
 :IN FOUNDATION COVER SHOULD BE 75mm
 :IN COLUMN COVER SHOULD BE 50mm
 :IN BEAM COVER SHOULD BE 30mm
 :IN SLAB COVER SHOULD BE 25mm

PROJECT TITLE:- FOR THE CONSTRUCTION OF PROPOSED KALYAN MANDAP BUILDING AT NIAGEPUR UNDER BRAHMAGIRI BLOCK IN THE DISTRICT OF PURI.

STRUCTURAL ENGINEERING CONSULTANCY
 P.L. No: 439, Mahaveer Lane, Garrage Chhak, OldTown, Bhubaneswar-751002, Odisha, India
 PHONE: +91 8698077420, LANDLINE: 0674-2340318, EMAIL: info@structall.com, WEBSITE: www.structall.com

DRAWN BY: SHAMBHABEE RATH (ON REQUEST)
SIZE: A1
PROJECT NO.: SEC/BBSR/2021-2022/125
DWG NO.: SEC/BBSR/2021-2022/125
DESIGNED & CHECKED BY: ER. TAPASI SWAIN