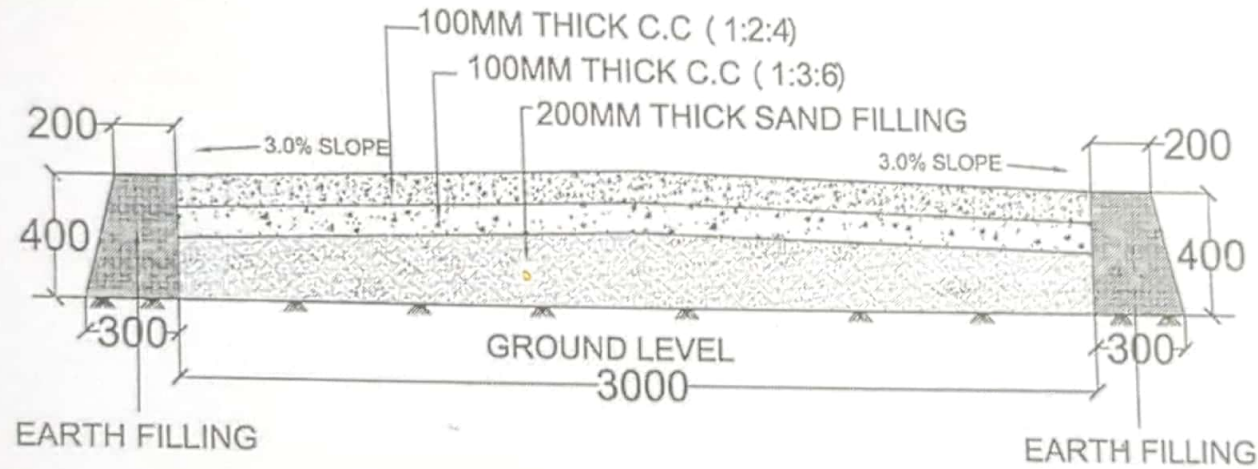


TYPICAL CROSS SECTION OF CEMENT CONCRETE ROAD  
(3.0M WIDE IN BLACK COTTON SOIL AREA)



ALL DIMINESIONS ARE IN MM

ESTIMATED COST :-RS 33.20 LAKHS/KM

*Sen*  
19/1/2013  
(Sen)