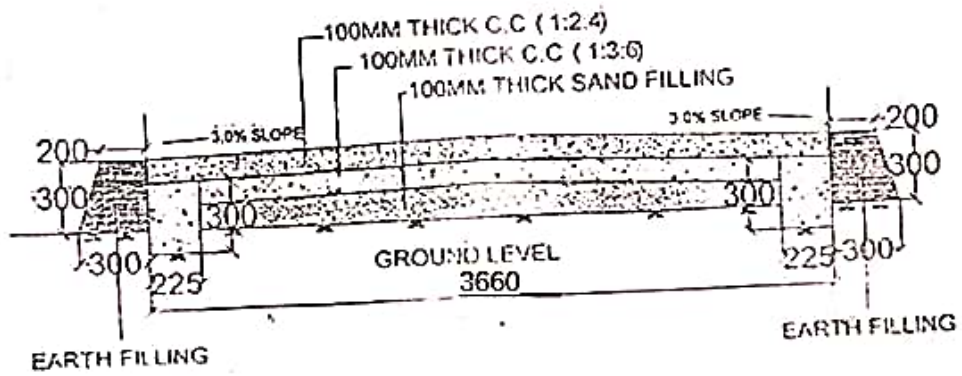


ANNEXURE:-B

TYPICAL CROSS SECTION OF CEMENT CONCRETE ROAD WITH CUTT OFF
(3.66 M WIDE IN HARD SOIL AREA)



6 inch depth
cuttoff (150mm)