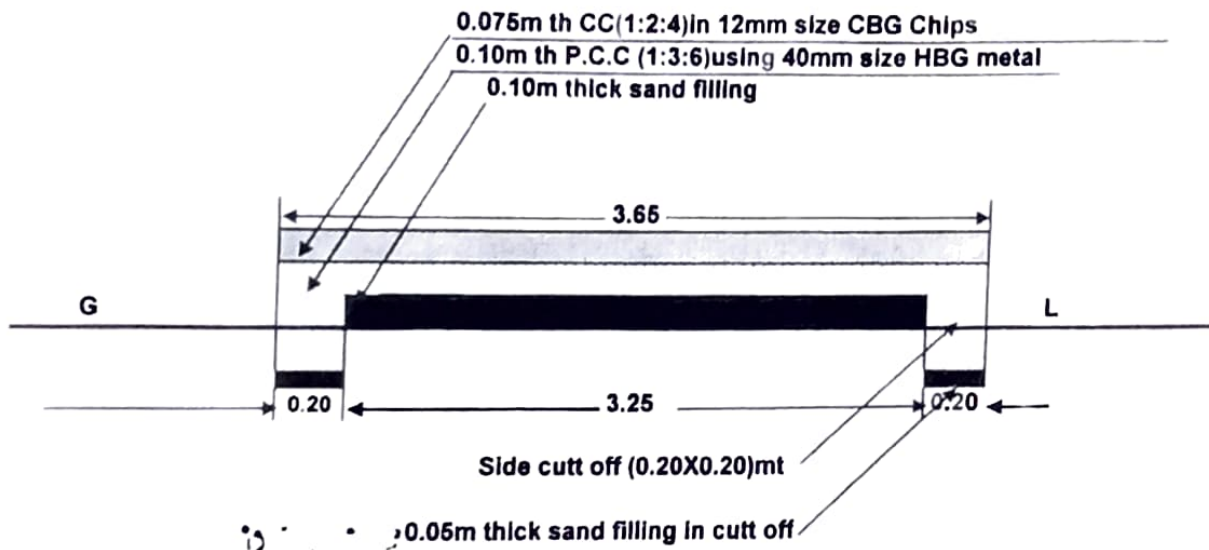


CROSS SECTION OF CEMENT CONCRETE ROAD



NOTE :- ALL DIMENSIONS ARE IN Mt