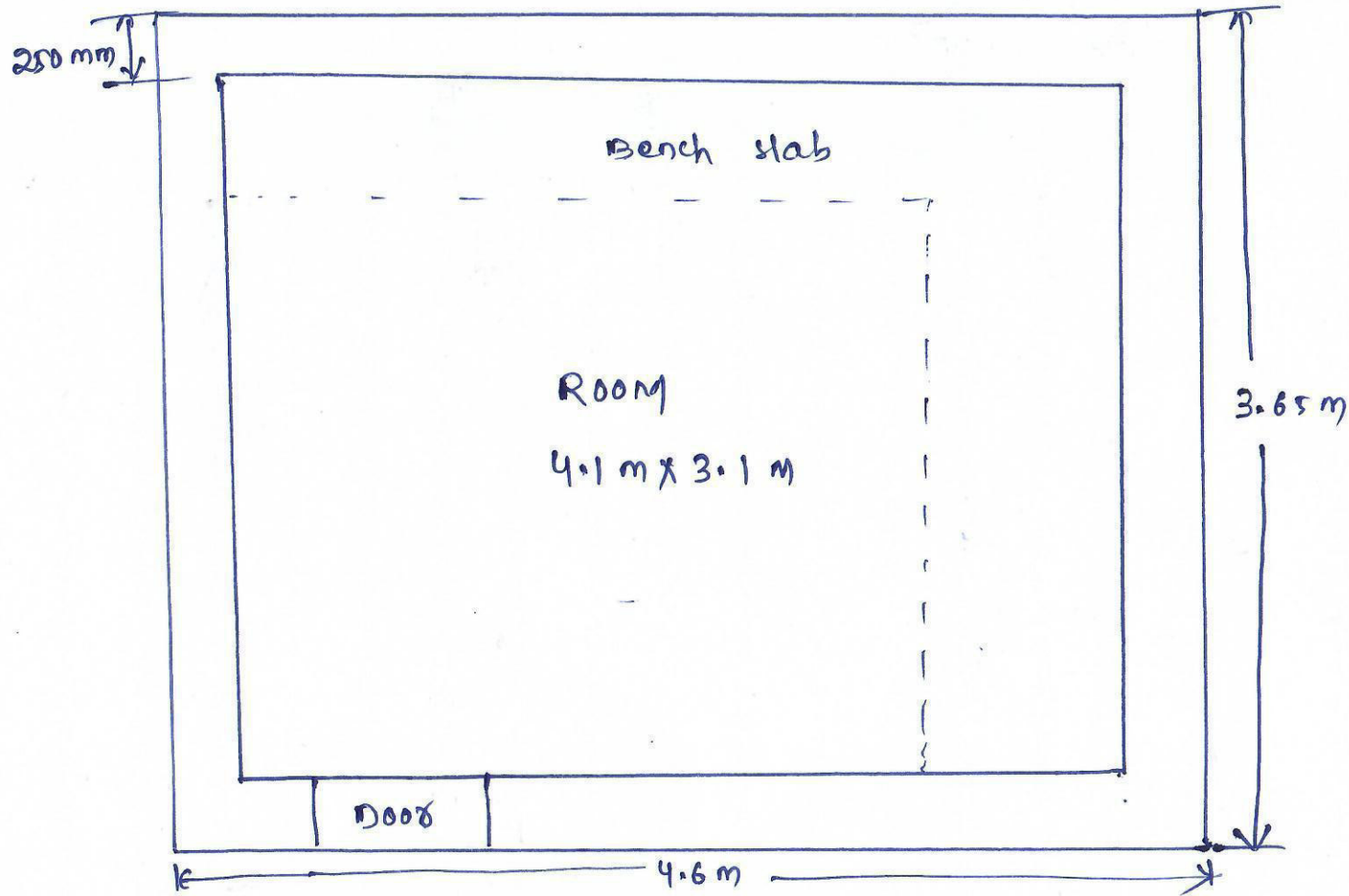
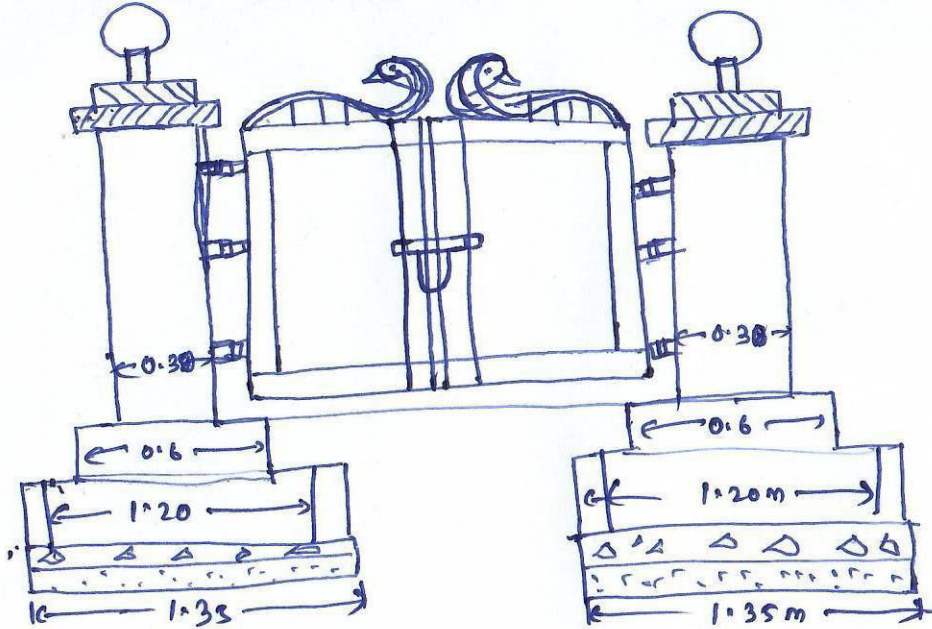


DEV. OF CREMATORIUM NOTAR



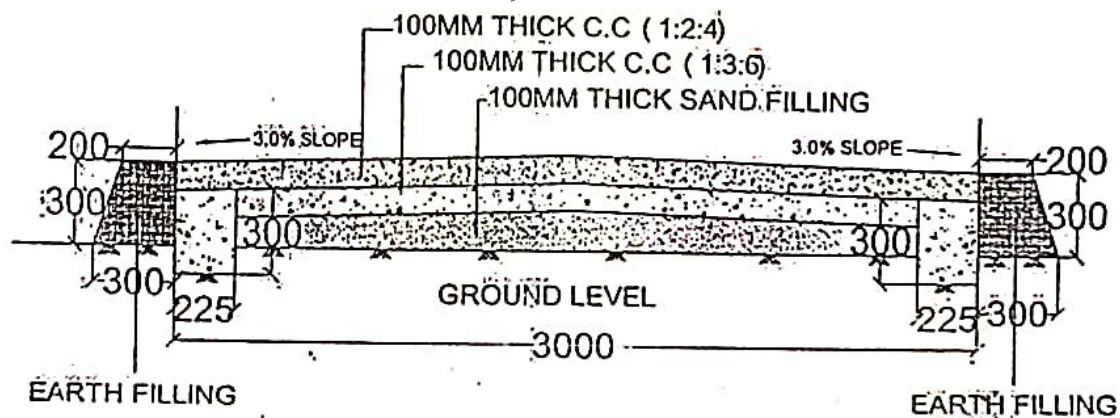
size  
D: 1.2 x 2.1

BUILDING PLAN



ENTRANCE GATE

TYPICAL CROSS SECTION OF CEMENT CONCRETE ROAD WITH CUTT OFF  
(3.0M WIDE IN HARD SOIL AREA)



ALL DIMINESIONS ARE IN MM

ESTIMATED COST :-RS 32.30 LAKHS/KM

*Ans*  
19/1/2013  
(Asst Engr)