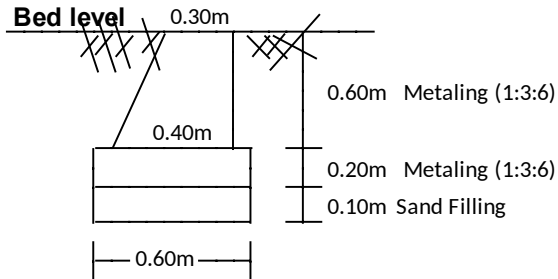
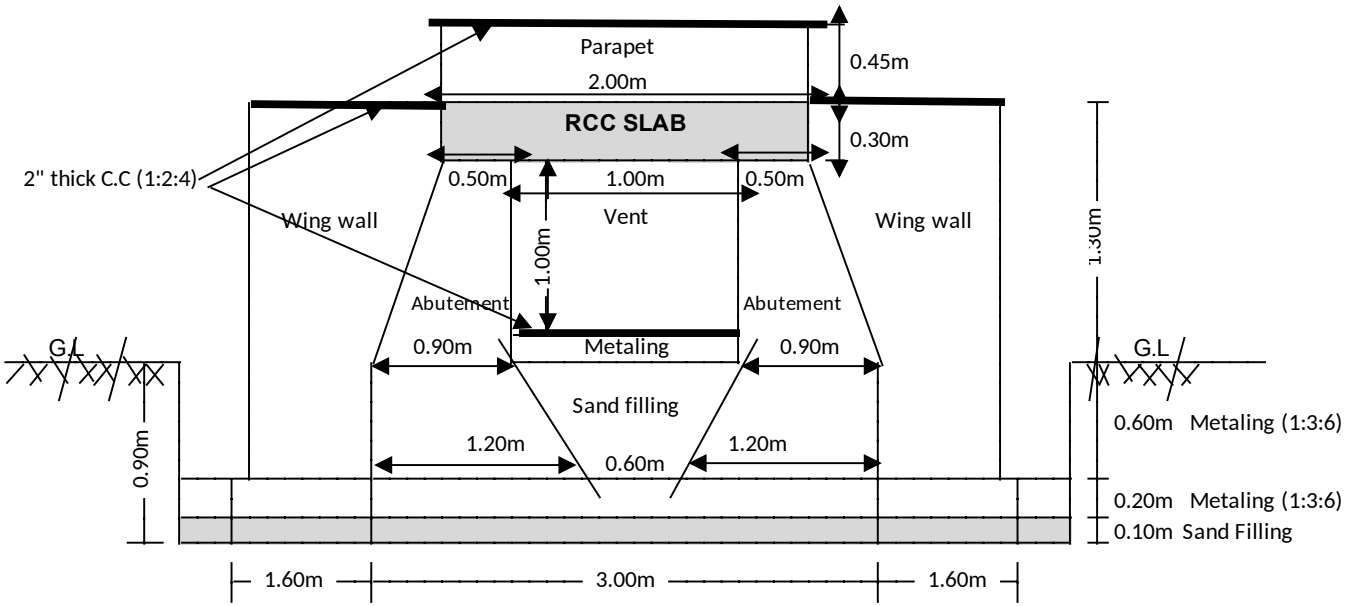
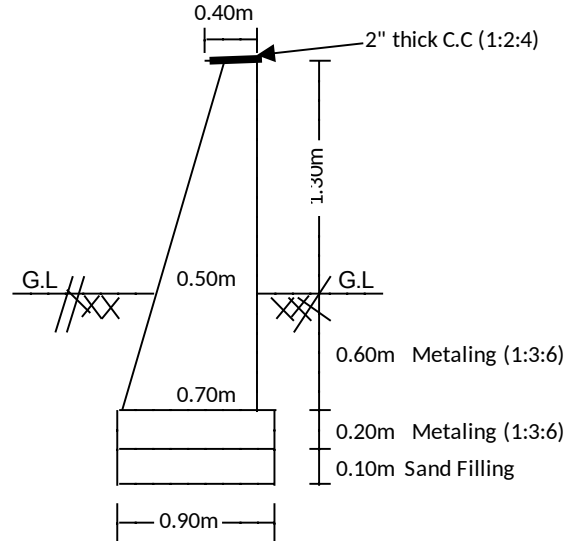


IMPROVEMENT OF ROAD FROM CHIDIPALLI TO MUNDAGUDA ROAD.

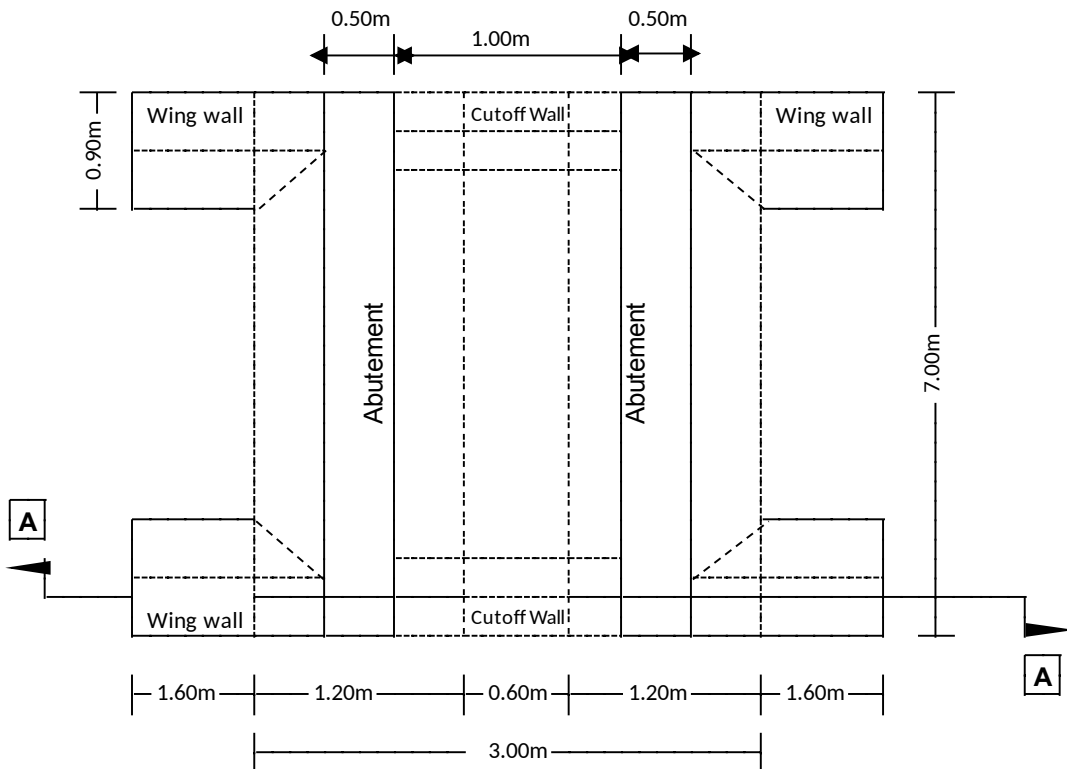
Estimated Cost :- Rs. 100000.00/-



CROSS SECTION OF CUTOFF WALL



CROSS SECTION OF WING WALL



HALF TOP & FOUNDATION PLAN