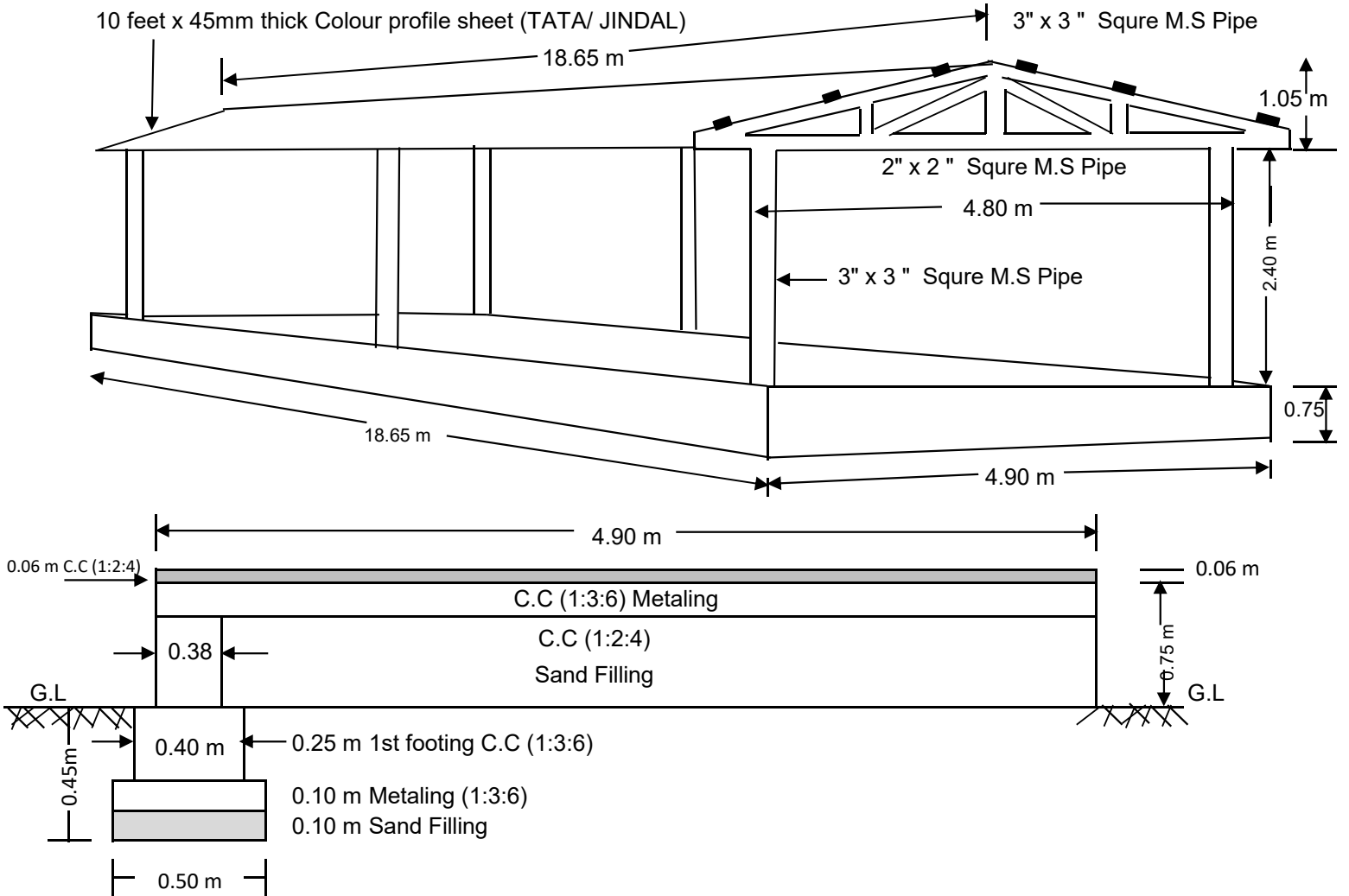
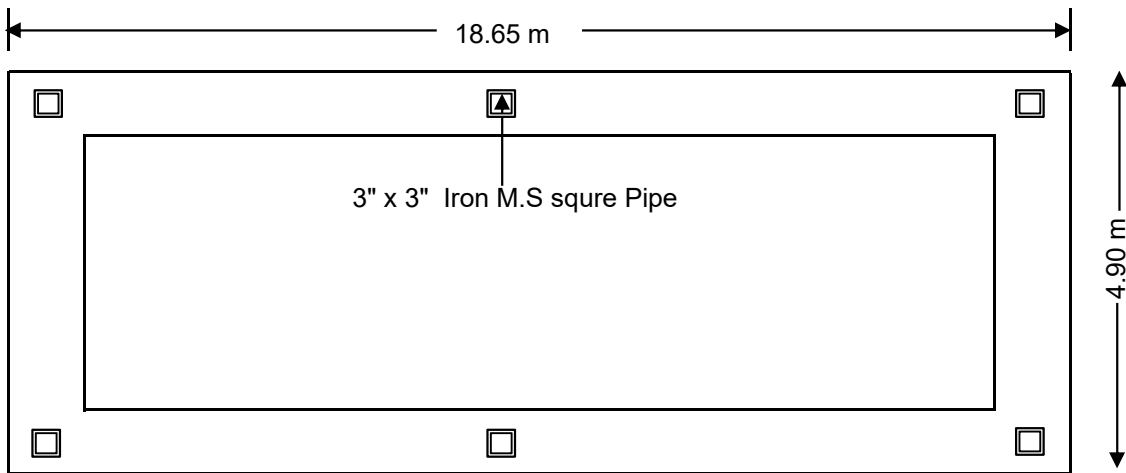


DESIGN OF RURAL HAAT AT TANDIKI.

(Not to the Scale)



CROSS SECTION OF FOUNDATION



PLAN OF HAAT PINDI

Junior Engineer
Malkangiri Block

Asst. Exe. Engineer
Malkangiri Block

Block Devlopment Officer
Malkangiri Block

